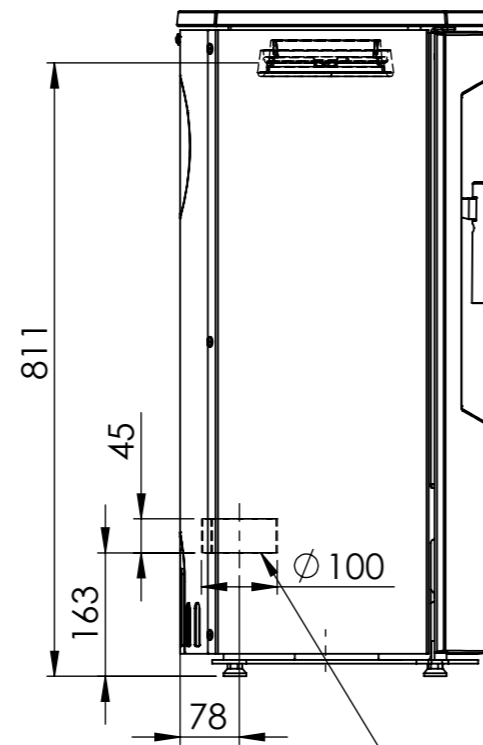
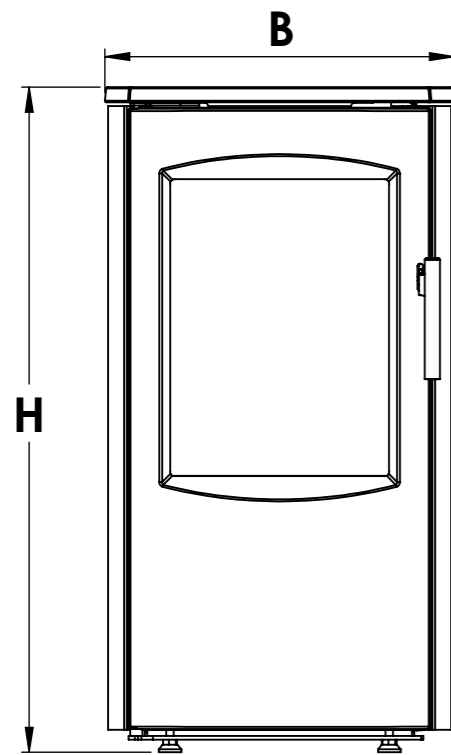
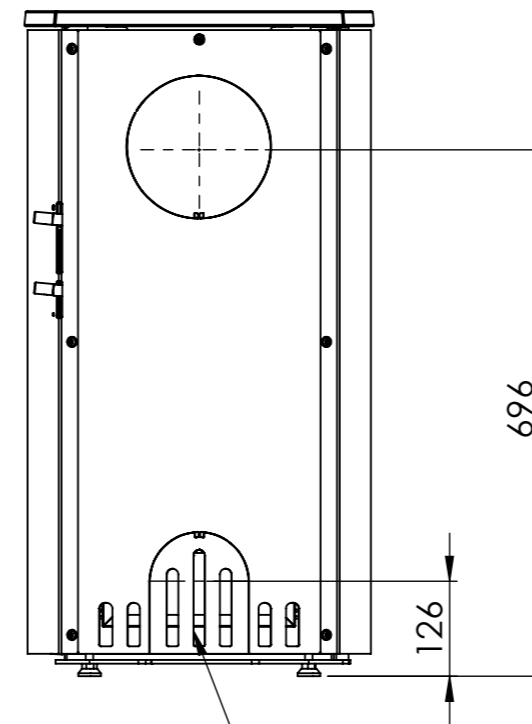


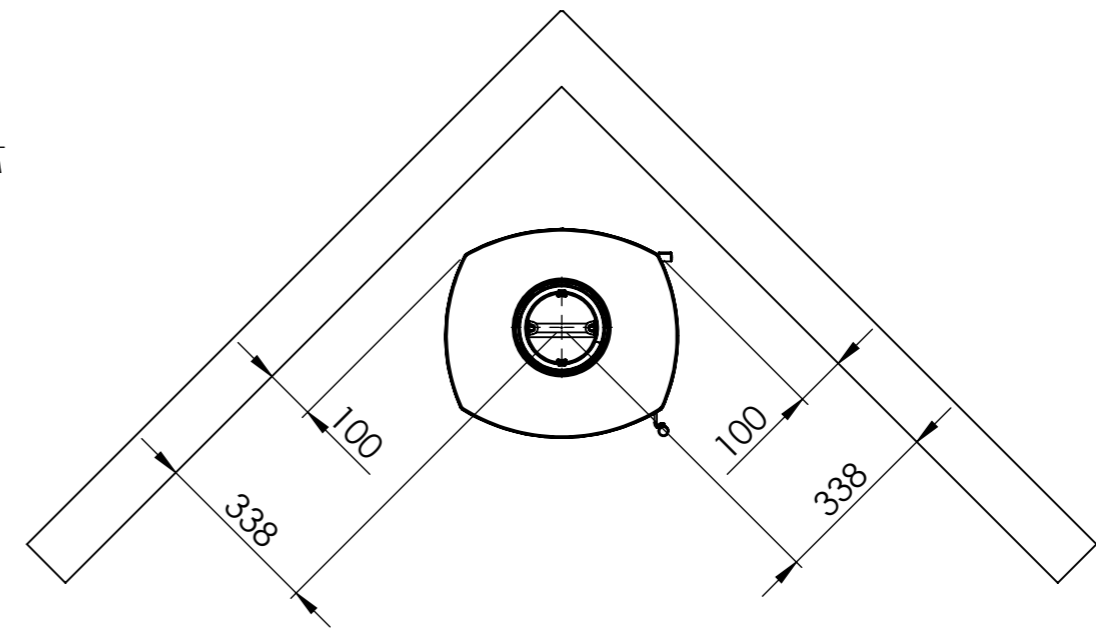
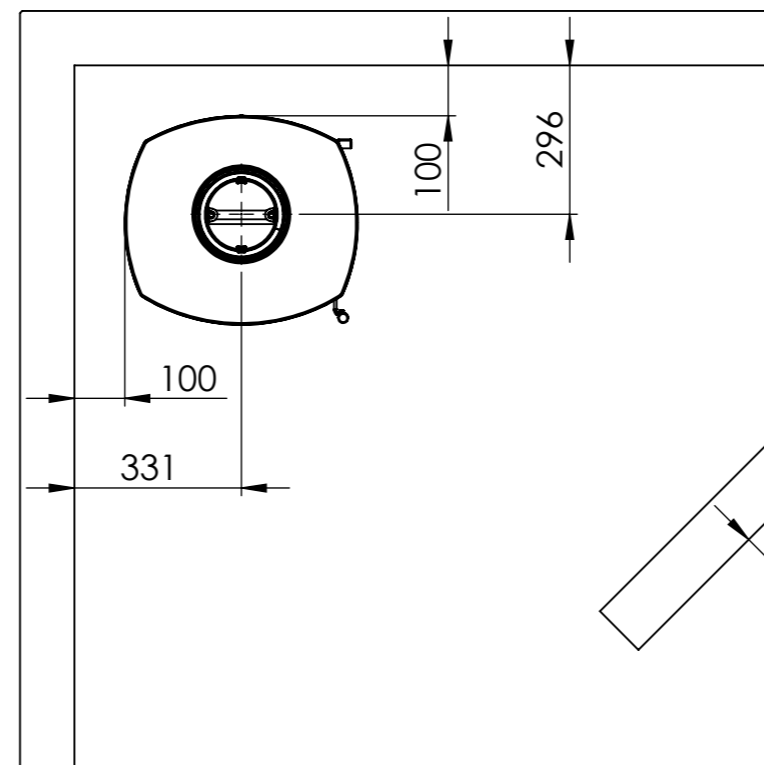
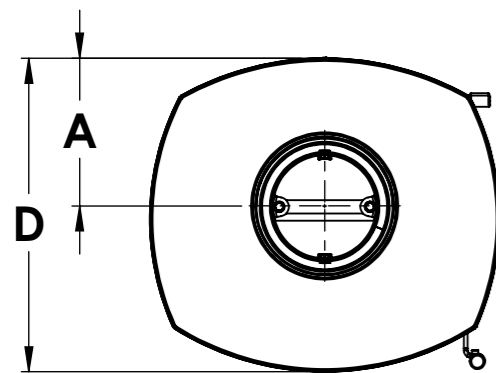
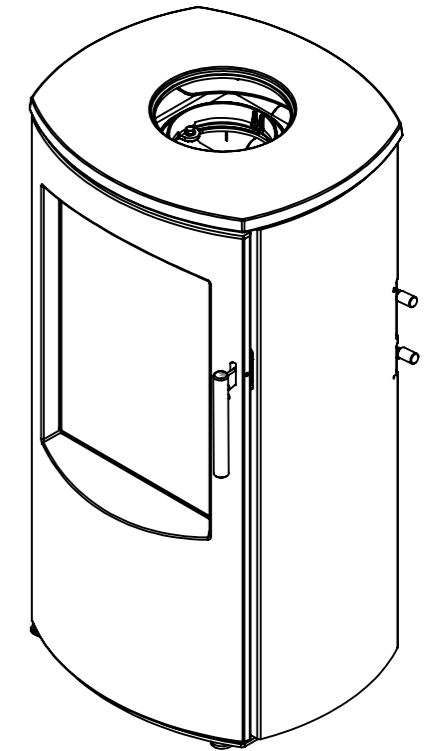
Serie	Scan-Line 7
Description	Scan-Line 7B



External fresh air
from below



External fresh air
from behind



Scan-Line 7B	A	B	D	H
Steel	195	462	415	880
Stone top	196	470	416	909
Stone	196	470	416	910